

**MIDNIGHTRAMBLER**  
*Rambler Lunch, Travel or Toiletry Bag*  
*(LASER ENGRAVED)*

JOB: XXXXXXXXXXXX  
ARTIST: XXXXXXXXXXXX

IMPRINT METHOD: LASER ENGRAVED

**Purchase Order #**

XXXXXXXXXX

Dashed line indicates imprint area and will not appear on your product.



IMPRINT AREA: 2.5 in. W x 1.5 in.H

# MIDNIGHTRAMBLER

Rambler Lunch, Travel or Toiletry Bag  
(FULL COLOR)

JOB: XXXXXXXXXXXX  
ARTIST: XXXXXXXXXXXX

IMPRINT COLOR(S): XXXXXXXXXXXX

Purchase Order #

XXXXXXXXXX

Dashed line indicates imprint area and will not appear on your product.



IMPRINT AREA: 3 in. W x 1.75 in.H

# MIDNIGHTRAMBLER

Rambler Lunch, Travel or Toiletry Bag  
(DOME IMPRINT)

JOB: XXXXXXXXXXXX  
ARTIST: XXXXXXXXXXXX

IMPRINT COLOR(S): XXXXXXXXXXXX

Purchase Order #

XXXXXXXXXX

Dashed line indicates imprint area and will not appear on your product.



IMPRINT AREA: 3.3 in. W x 2 in.H

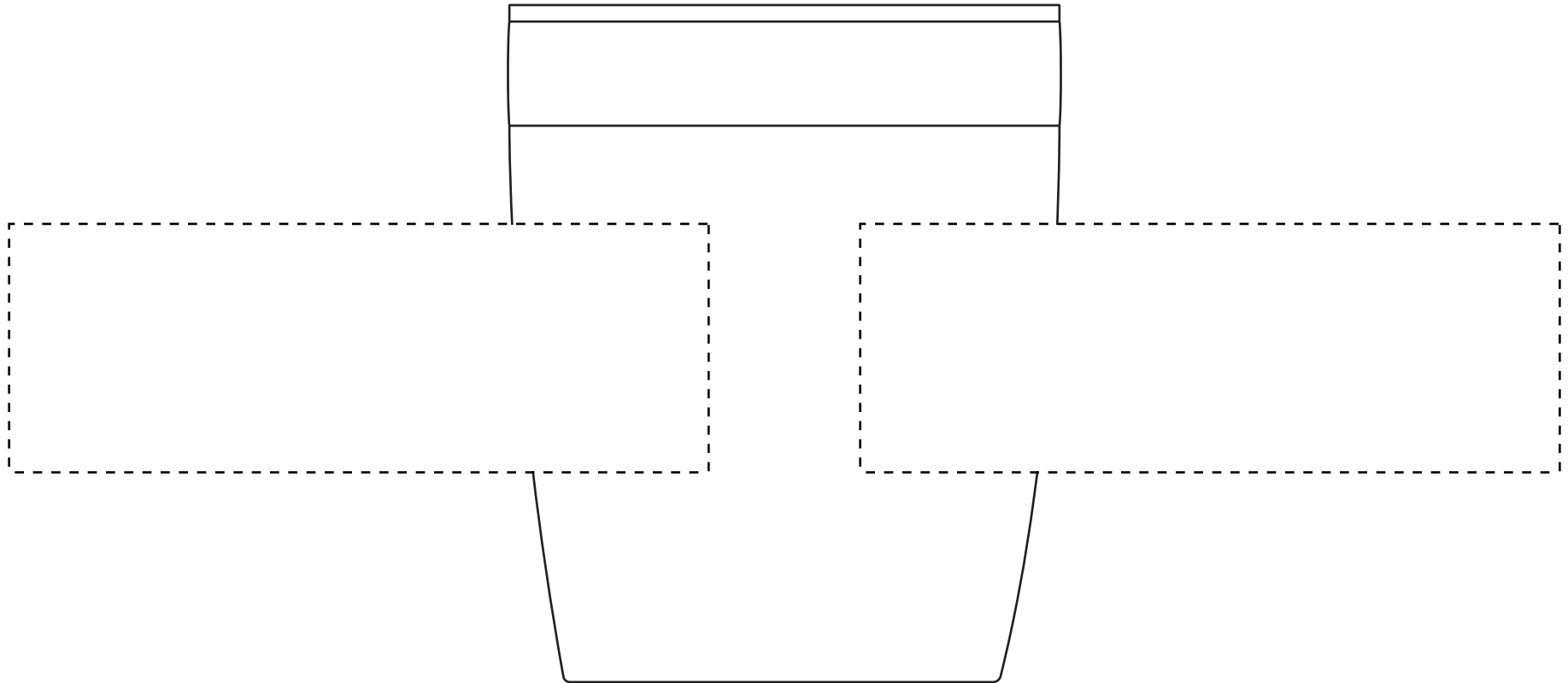
**PICCOLO**  
*8 oz Mini Tumbler*

Purchase Order #

XXXXXXXXXXXX

*Dashed line indicates imprint area and will not appear on your product.*

JOB: XXXXXXXXXXXX  
ARTIST: XXXXXXXXXXXX  
IMPRINT COLOR: XXXXXXXXXXXX



IMPRINT AREA: 4.25 in. W x 1.5 in. H

# HEMINGWAY

*Hemingway Journal*

Purchase Order #

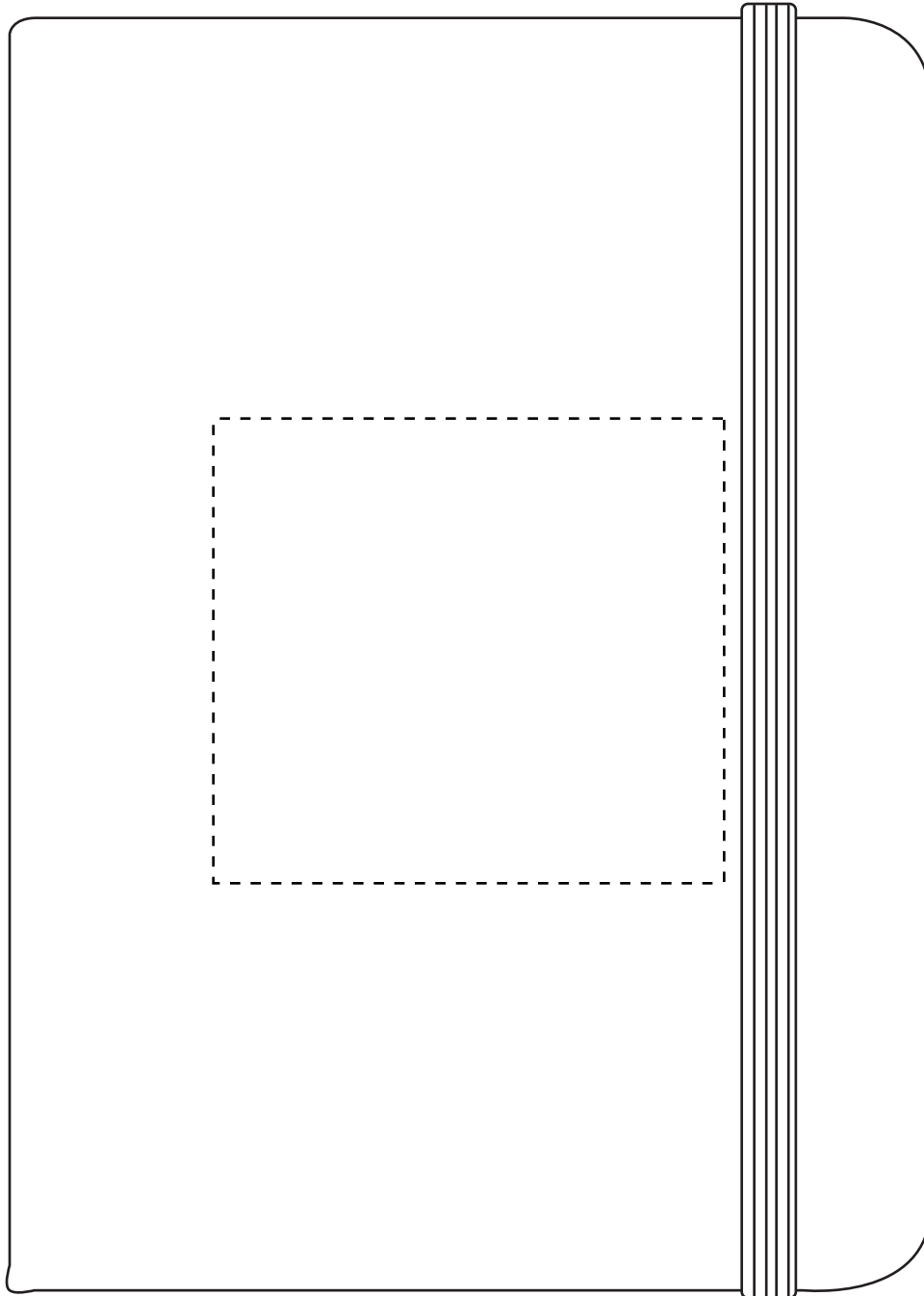
XXXXXXXXXX

*Dashed line indicates imprint area and will not appear on your product.*

JOB: XXXXXXXXXXXX

ARTIST: XXXXXXXXXXXX

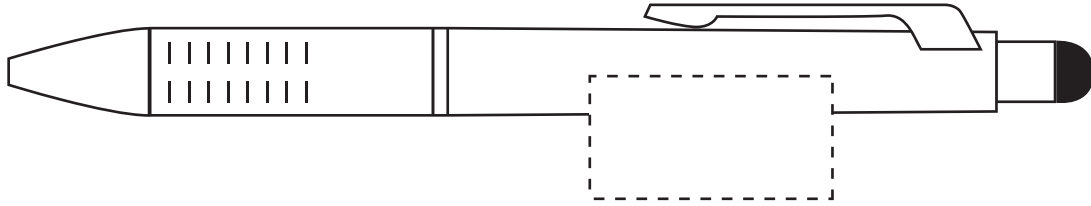
IMPRINT COLOR(S): XXXXXXXXXXXX



IMPRINT AREA: 2.75 in. W x 2.5 in. H

# BOUNTY - Bounty Stylus Pen

Purchase Order # XXXXXXXXXX  
*Dashed line indicates imprint area and will not appear on your product.*



JOB: XXXXXXXXXXXX  
ARTIST: XXXXXXXXXXXX

IMPRINT 1: XXXXXXXXXXXX  
IMPRINT 2: XXXXXXXXXXXX