

USA12TRITAN-FDP

12 oz Made in the USA

Tritan Tumbler

JOB: XXXXXXXXXXXX

ARTIST: XXXXXXXXXXXX

IMPRINT COLOR: XXXXXXXXXXXX

MINIMUM LINE THICKNESS



MINIMUM FONT PT SIZE

Ee

Purchase Order #

XXXXXXXXXXXX

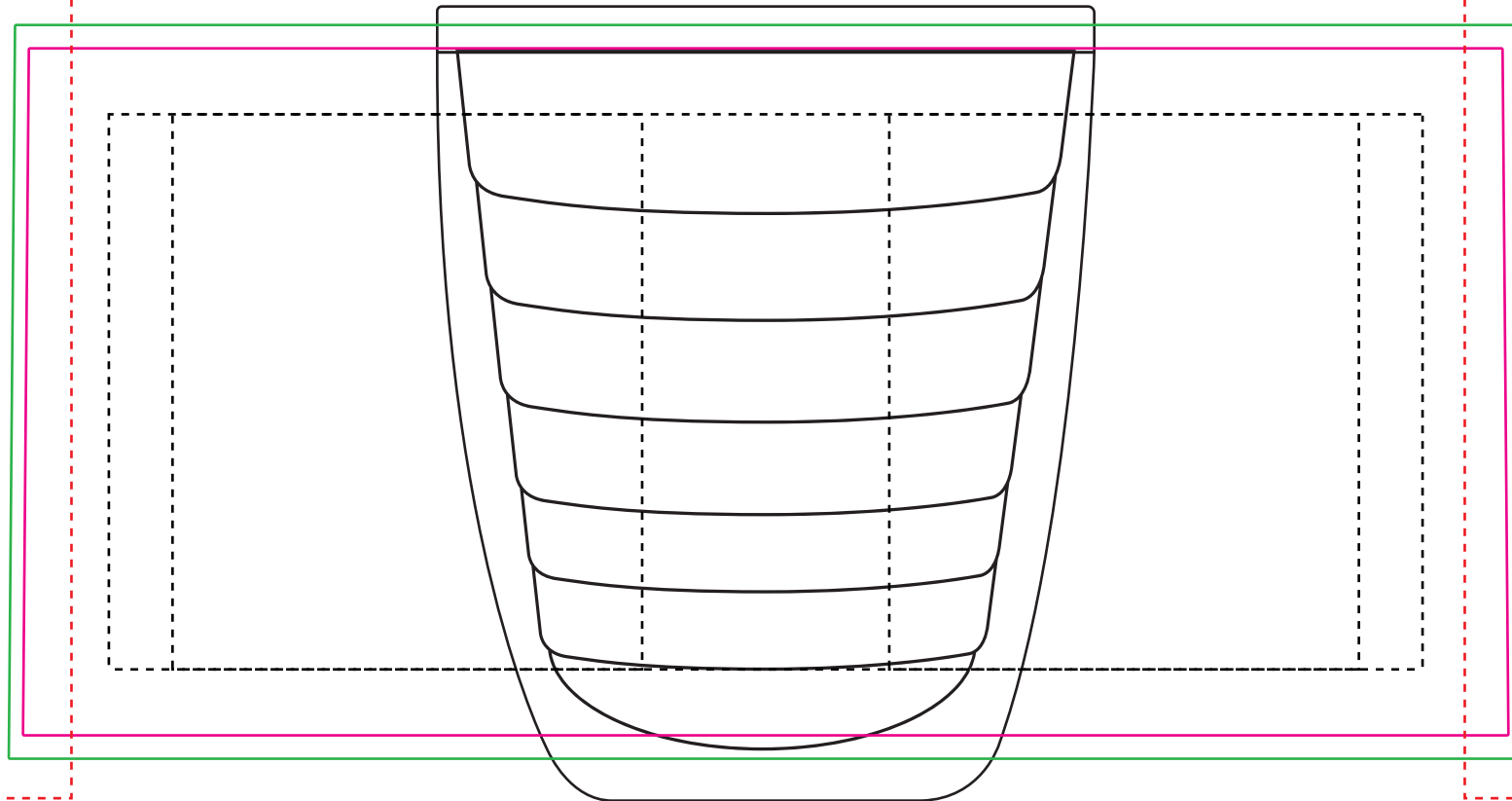
Dashed line indicates LIVE imprint area and will not appear on your product.

MAGENTA LINE indicates the cut line and will not appear on your product.

GREEN LINE indicates the FULL BLEED line and will not appear on your product

**INSERT OVERLAP
AVOID TEXT
IN THIS AREA**

**INSERT OVERLAP
AVOID TEXT
IN THIS AREA**



2 SIDED LIVE IMPRINT AREA: 2.5 in. W x 2.9566 in. H

WRAP LIVE IMPRINT AREA: 7.0183 in. W x 2.9566 in. H

FULL BLEED LINE: 8.0896 in. W x 3.9125 in. H