

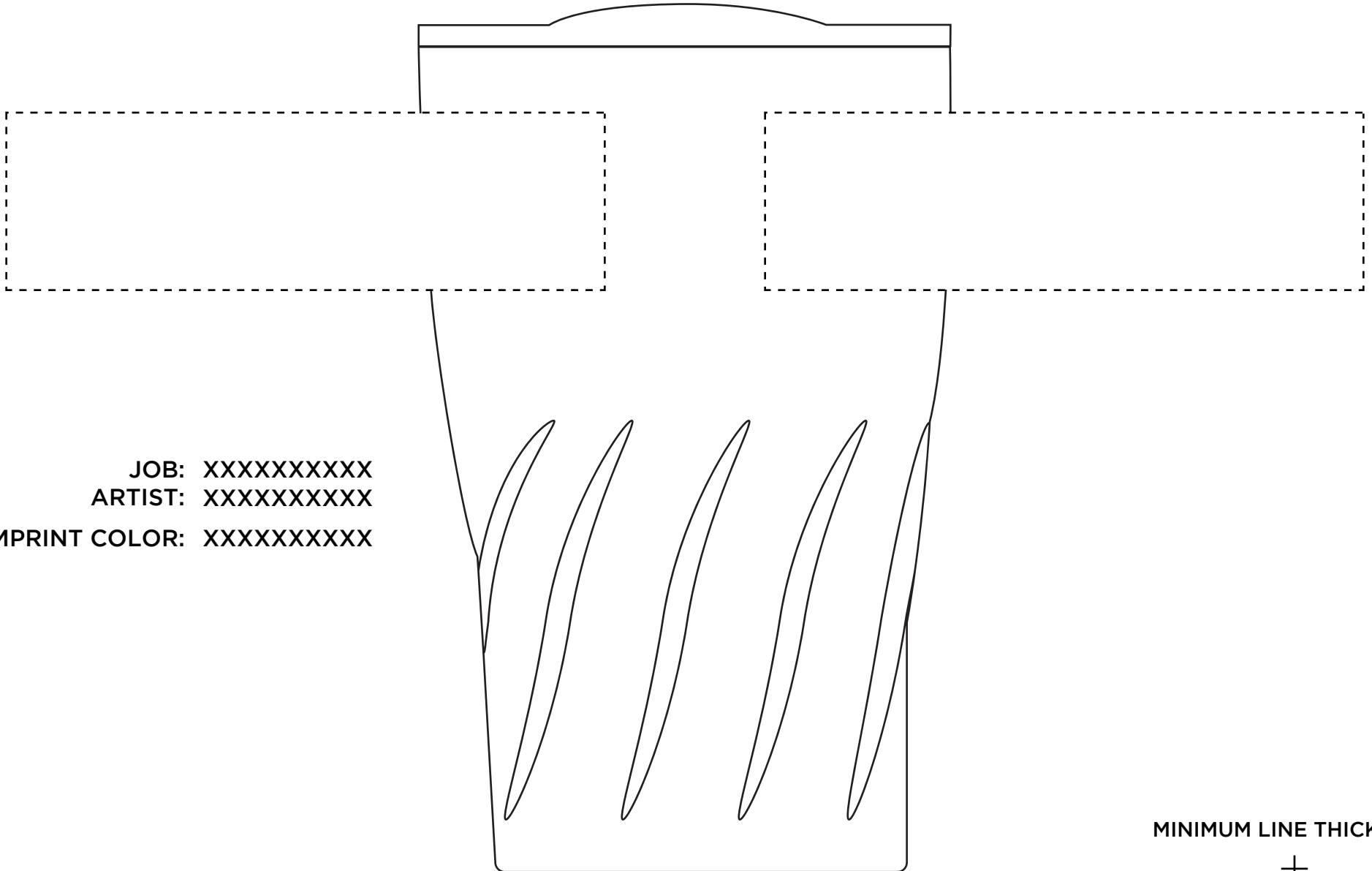
# TWIST

14 oz Stainless Tumbler  
with Polypropylene Liner

Purchase Order #

XXXXXXXXXXXX

*Dashed line indicates imprint area and  
will not appear on your product.*



JOB: XXXXXXXXXXXX

ARTIST: XXXXXXXXXXXX

IMPRINT COLOR: XXXXXXXXXXXX

MINIMUM LINE THICKNESS

+

MINIMUM FONT PT SIZE

Ee

IMPRINT AREA: 4.25 in. W x 1.25 in. H

# TWIST

14 oz Stainless Tumbler  
with Polypropylene Liner

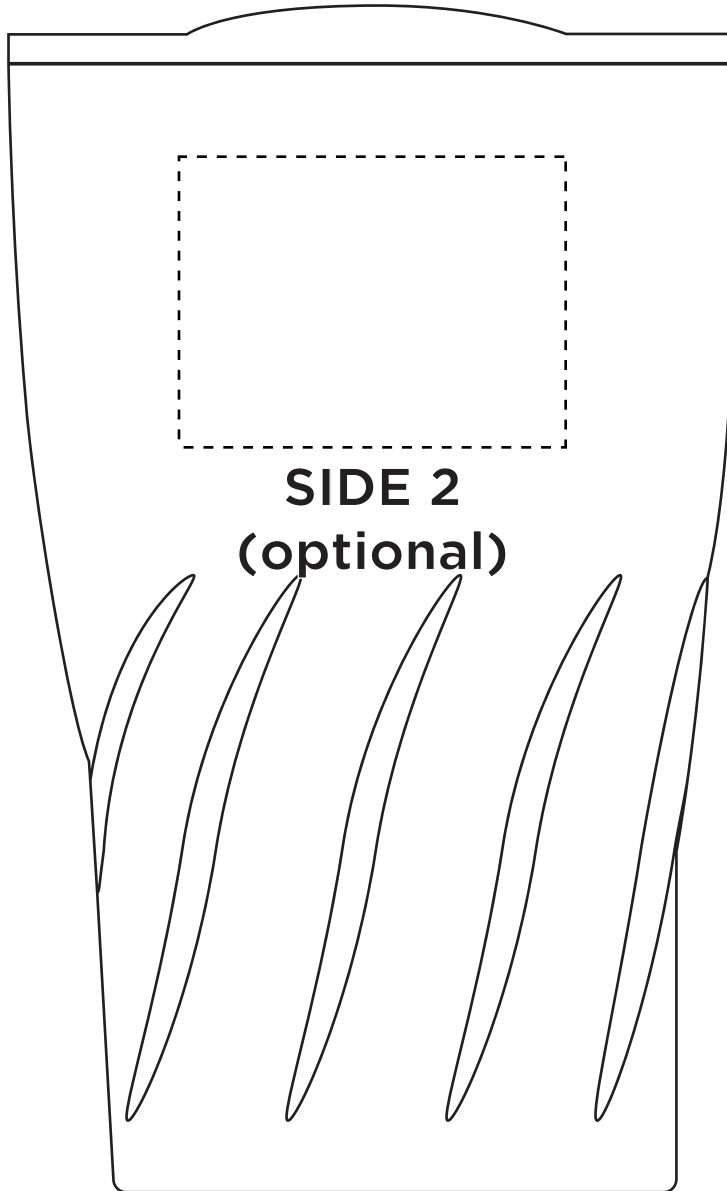
JOB: XXXXXXXXXXXX  
ARTIST: XXXXXXXXXXXX

IMPRINT COLOR: LASER ENGRAVED

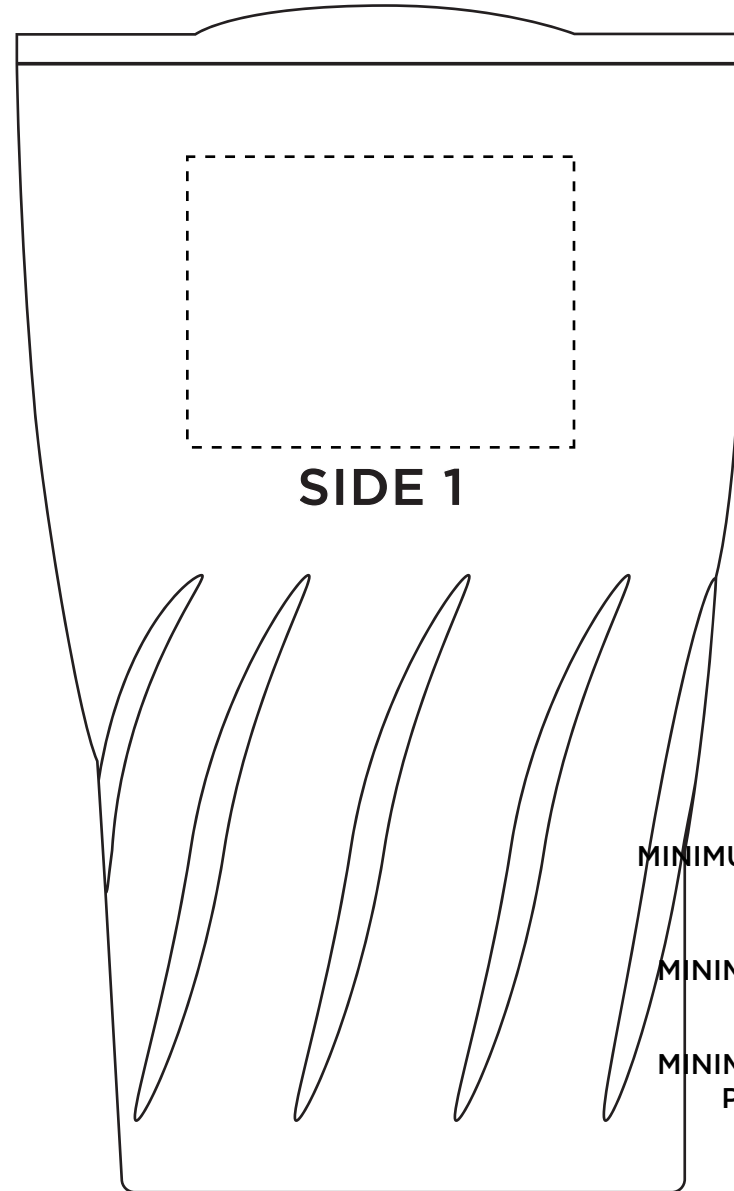
Purchase Order #

XXXXXXXXXXXX

*Dashed line indicates imprint area and  
will not appear on your product.*



**SIDE 2  
(optional)**



**SIDE 1**

MINIMUM LINE THICKNESS

+

MINIMUM FONT PT SIZE

Ee

MINIMUM FONT PT SIZE  
Personalization

Ee

MAX CHARACTERS FOR  
Personalization

13

**NOTE: Exact opposite sides  
cannot be guaranteed.**

IMPRINT AREA: 2 in. W x 1.5 in. H