

DRYBAG10 -

10L Waterproof Dry Bag

Purchase Order #

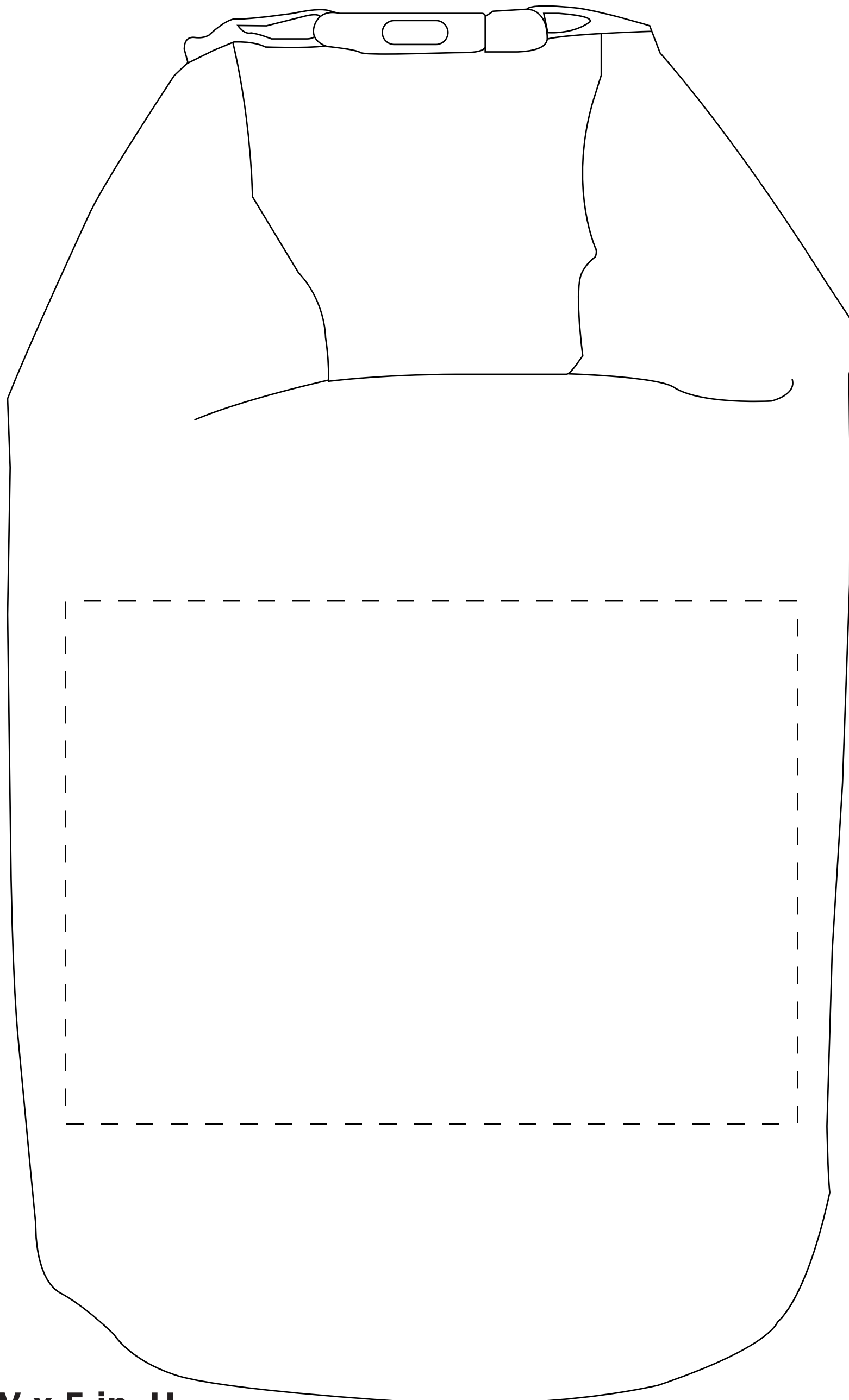
XXXXXXXXXX

Dashed line indicates imprint area and will not appear on your product.

JOB: XXXXXXXXXXXX

ARTIST: XXXXXXXXXXXX

IMPRINT COLOR: XXXXXXXXXXXX



IMPRINT AREA: 7 in. W x 5 in. H

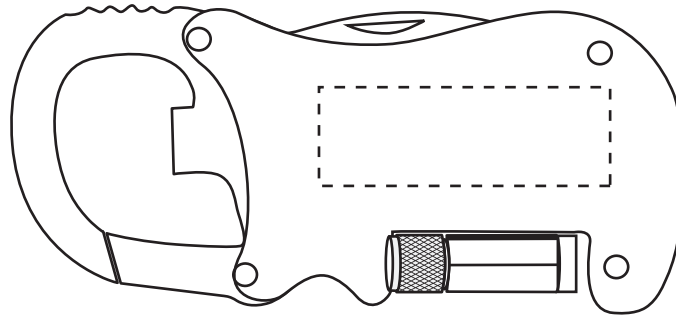
**BOCFK - Bottle Opener
Carabiner w/Flashlight**

Purchase Order #

XXXXXXXXXX

Dashed line indicates imprint area and will not appear on your product.

**JOB: XXXXXXXXXXXX
ARTIST: XXXXXXXXXXXX**



IMPRINT AREA: 1.5 in W x 0.5 in H

ENLARGED

CTNG

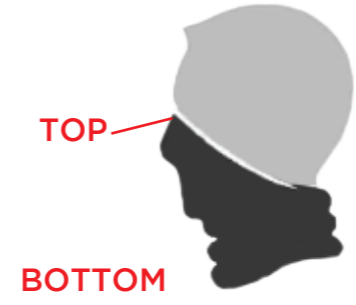
Cooling Towel Neck
Gaiter

JOB: XXXXXXXXXXXX
ARTIST: XXXXXXXXXXXX

IMPRINT COLOR(s): XXXXXXXXXXXX

Purchase Order #

XXXXXXXXXX

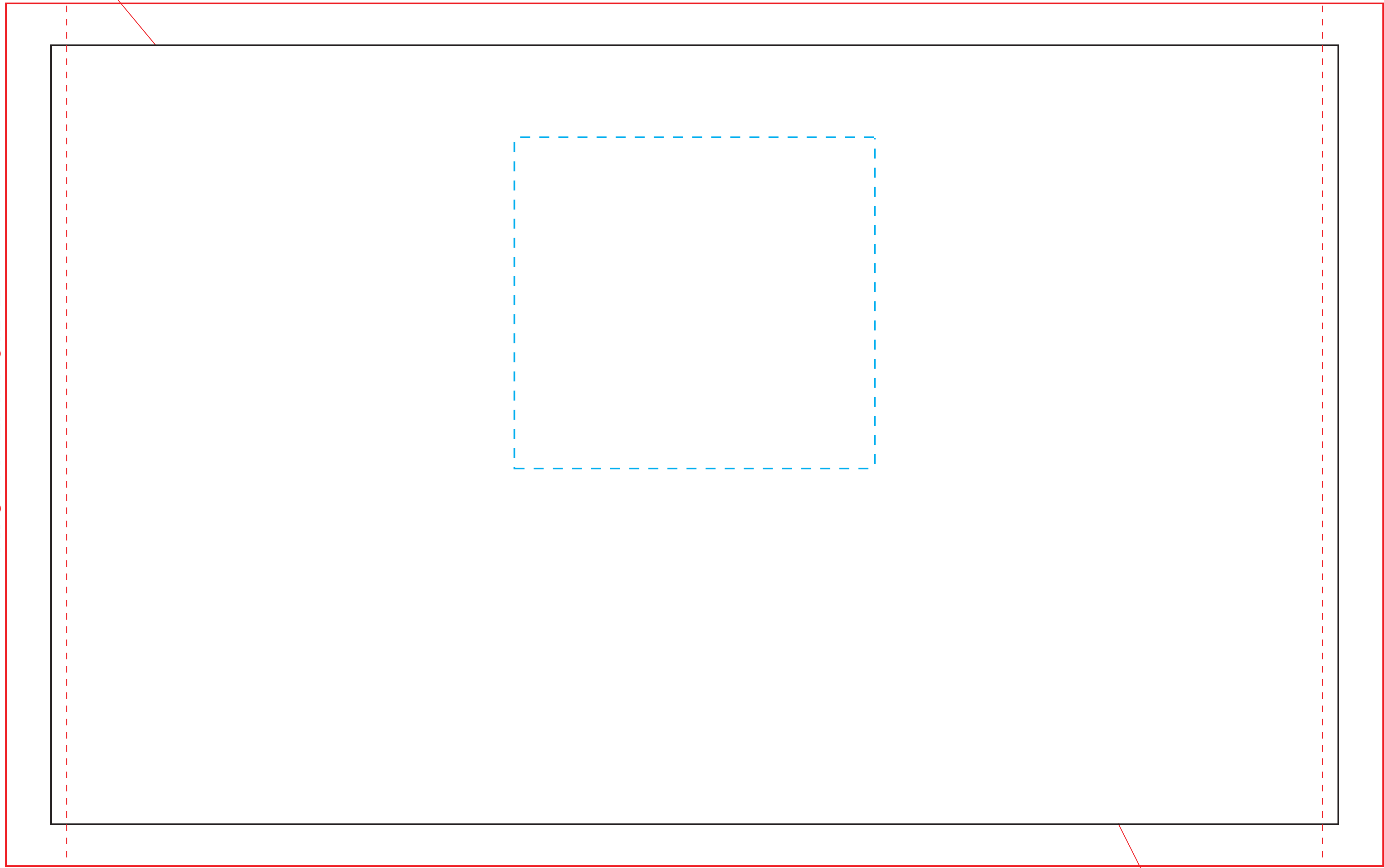


*Dashed **CYAN** line indicates imprint area and will not appear on your product.
Black **SOLID** line indicates the item outline and will not appear on your product.
Dashed **RED** line indicates the stitching line and will not appear on your product.
Red line indicates the full bleed and will not appear on your product.*

TOP

RIGHT EAR SIDE

LEFT EAR SIDE



IMPRINT AREA: 6 in. W x 5.5 in. H

BOTTOM

CTNG

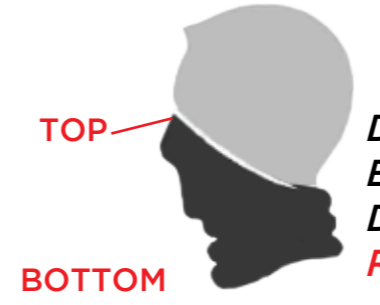
Cooling Towel Neck
Gaiter

JOB: XXXXXXXXXXXX
ARTIST: XXXXXXXXXXXX

IMPRINT COLOR(s): XXXXXXXXXXXX

Purchase Order #

XXXXXXXXXX

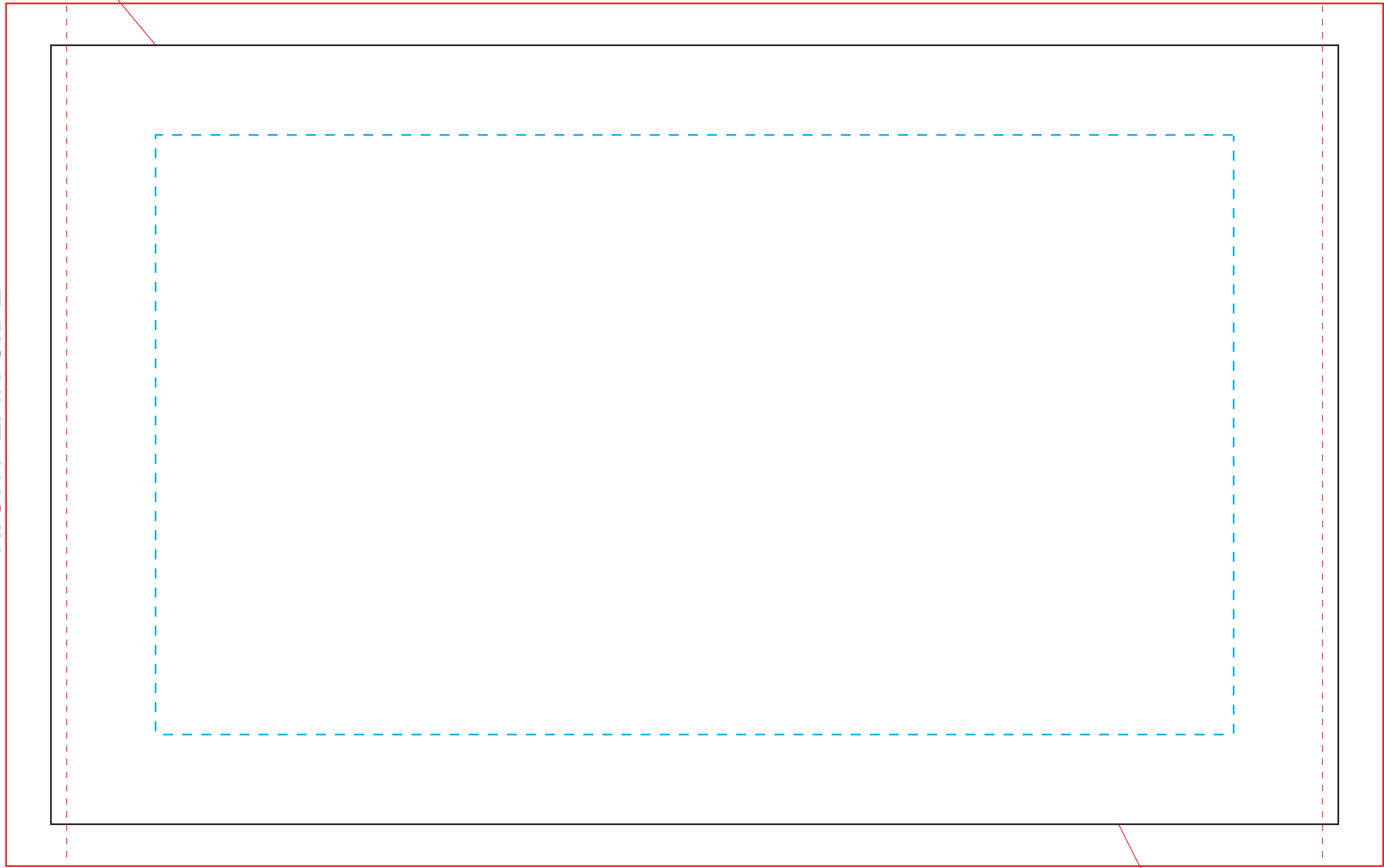


*Dashed **CYAN** line indicates imprint area and will not appear on your product.
Black **SOLID** line indicates the item outline and will not appear on your product.
Dashed **RED** line indicates the stitching line and will not appear on your product.
Red line indicates the full bleed and will not appear on your product.*

TOP

RIGHT EAR SIDE

LEFT EAR SIDE



IMPRINT AREA: 18 in. W x 10 in. H

BOTTOM