

SPORTFUSION24

24 oz Polyclear Fruit Fusion Bottle

JOB: XXXXXXXXXXXX
ARTIST: XXXXXXXXXXXX

IMPRINT 1: XXXXXXXXXXXX
IMPRINT 2: XXXXXXXXXXXX

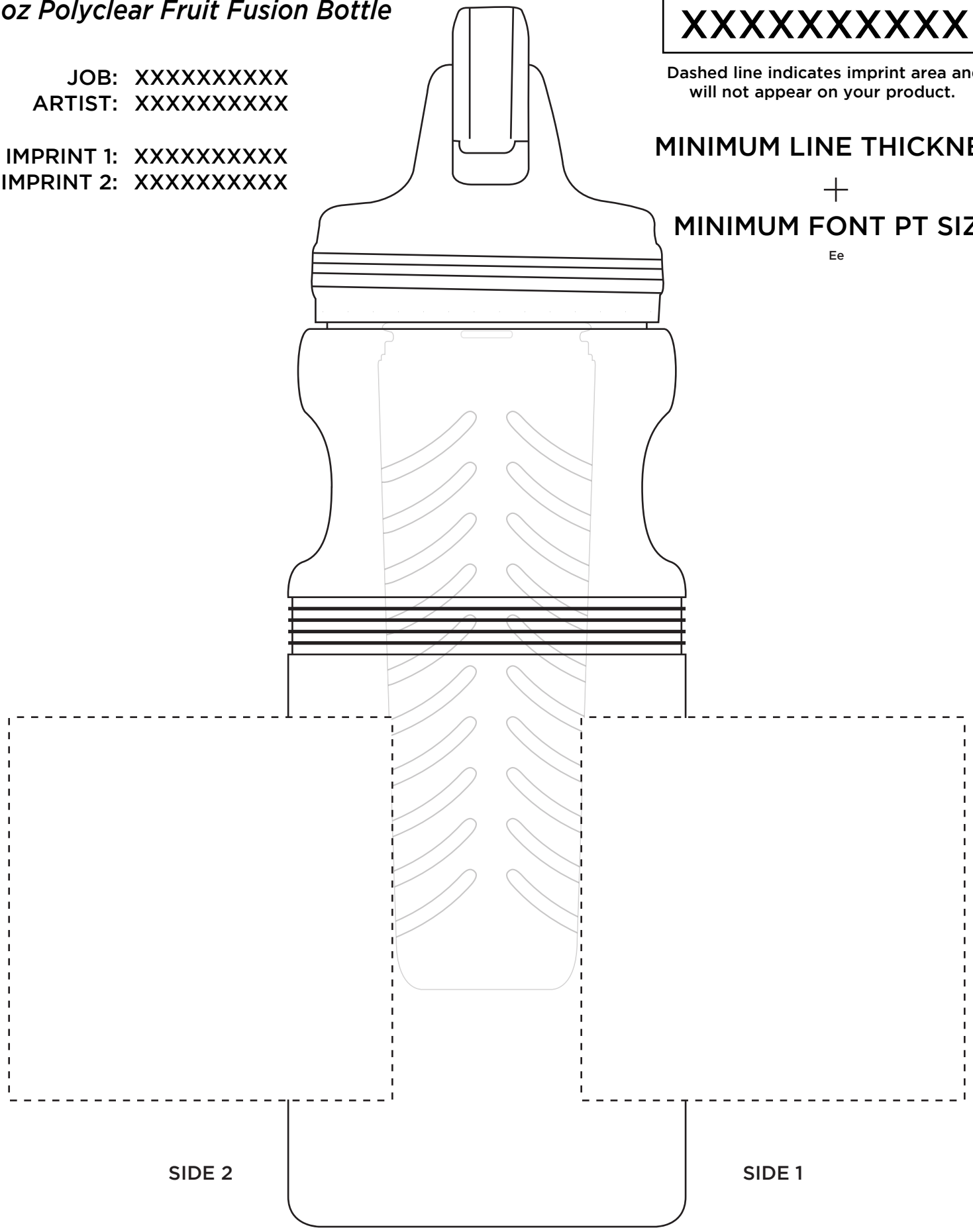
Purchase Order #

XXXXXXXXXXXX

Dashed line indicates imprint area and will not appear on your product.

MINIMUM LINE THICKNESS

$$\text{MINIMUM FONT PT SIZE} = \text{MINIMUM LINE THICKNESS} + \text{Ee}$$



SIDE 2

SIDE 1

IMPRINT AREA: 3 in W x 3 in H