

ODIN-LIGHT

16 oz Odin-Light Stainless Tumbler

Purchase Order #

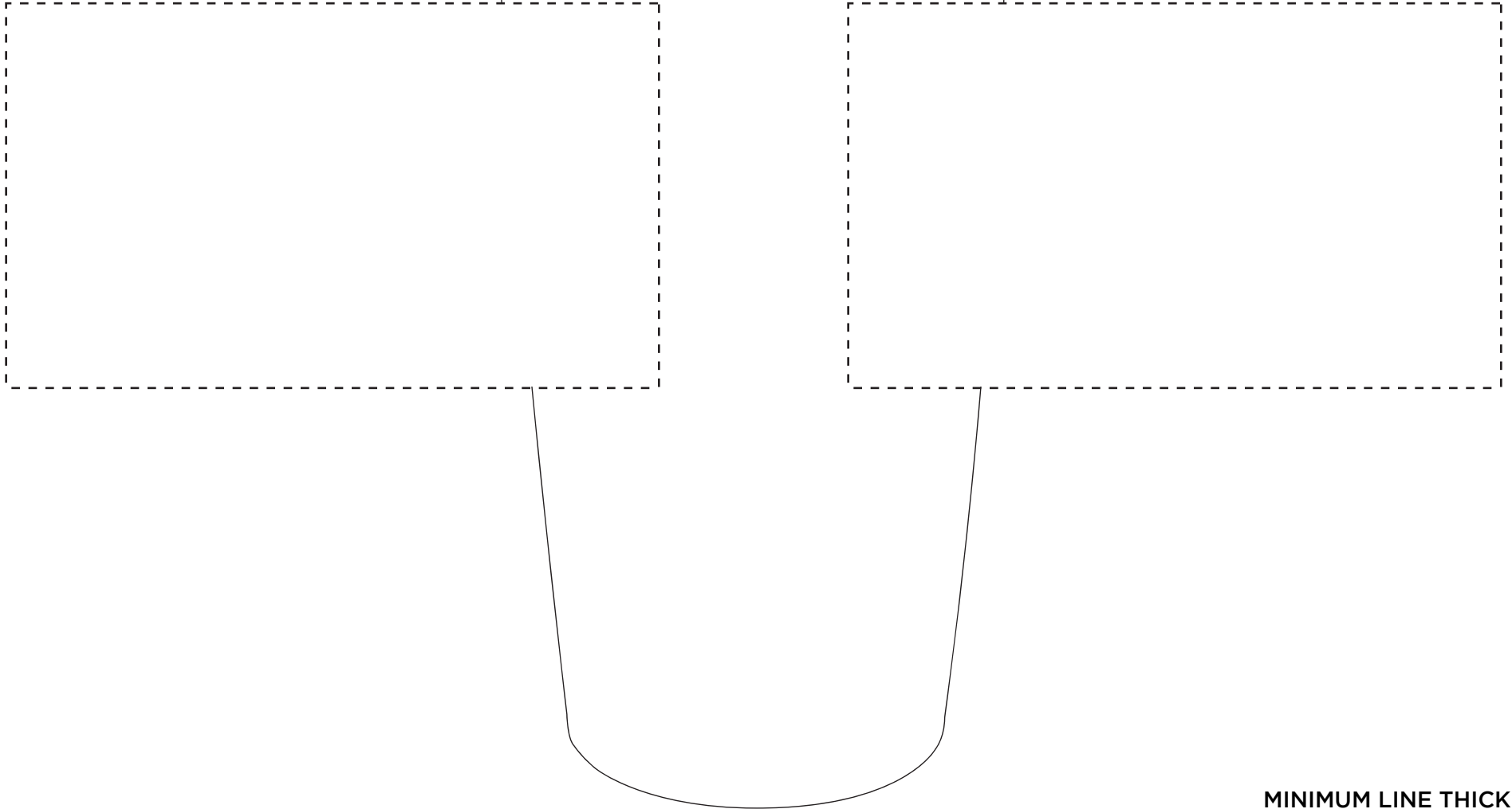
XXXXXXXXXXXX

Dashed line indicates imprint area and will not appear on your product.

JOB: XXXXXXXXXXXX

ARTIST: XXXXXXXXXXXX

IMPRINT COLOR: XXXXXXXXXXXX



MINIMUM LINE THICKNESS



MINIMUM FONT PT SIZE

Ee

IMPRINT AREA: 4.25 in. W x 2.5 in. H

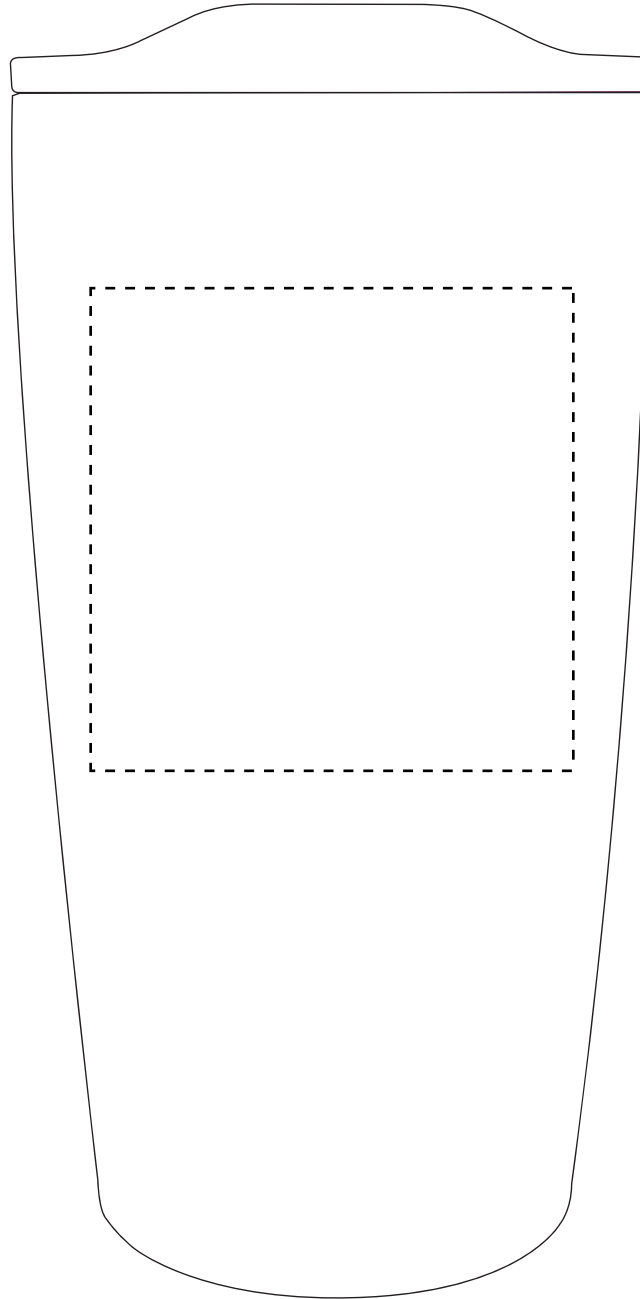
ODIN-LIGHT

16 oz Odin-Light Stainless Tumbler
(IN-HOUSE LASER ENGRAVED)

JOB: XXXXXXXXXXXX

ARTIST: XXXXXXXXXXXX

IMPRINT COLOR: LASER ENGRAVED



Purchase Order #

XXXXXXXXXXXX

Dashed line indicates imprint area and will not appear on your product.

MINIMUM LINE THICKNESS

+

MINIMUM FONT PT SIZE

Ee

MINIMUM FONT PT SIZE

Personalization

Ee

MAX CHARACTERS FOR

Personalization

13

IMPRINT AREA: 2.5 in. W x 2.5 in. H