

OBE16T

OtterBox® Elevation 16oz
Stainless Tumbler

JOB: XXXXXXXXXXXX

ARTIST: XXXXXXXXXXXX

IMPRINT COLOR: XXXXXXXXXXXX

Purchase Order # XXXXXXXXXX

Dashed line indicates imprint area and will not appear on your product.

MINIMUM FONT PT SIZE MINIMUM LINE THICKNESS

Personalization

+

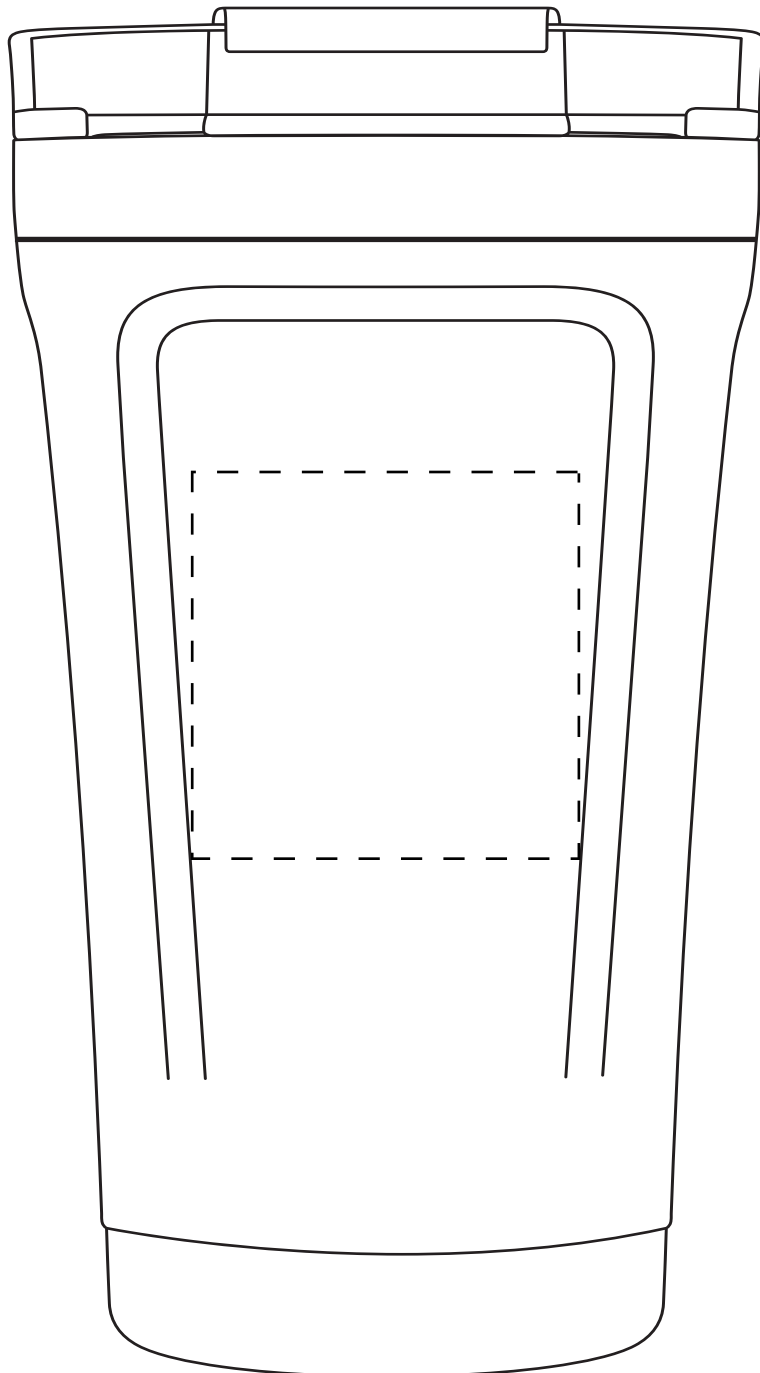
Ee

MINIMUM FONT PT SIZE

MAX CHARACTERS FOR
Personalization

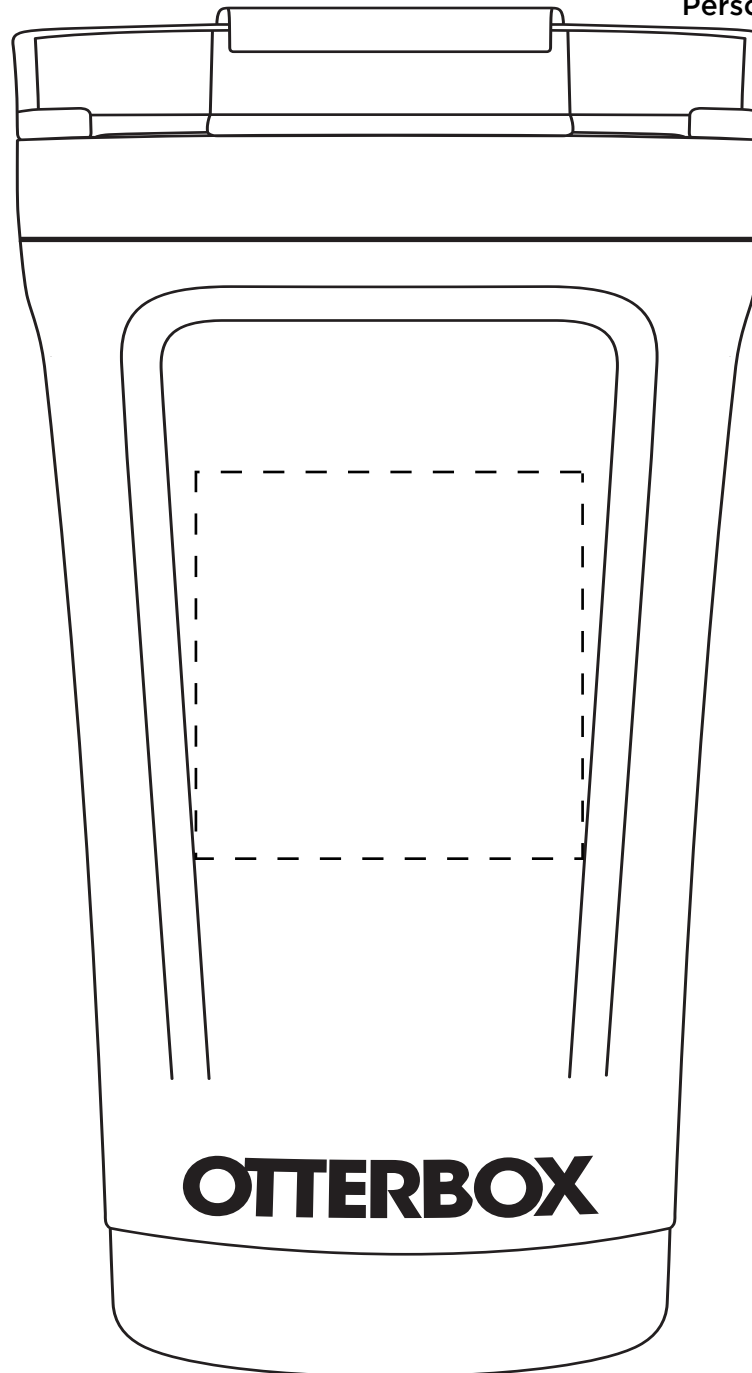
Ee

12



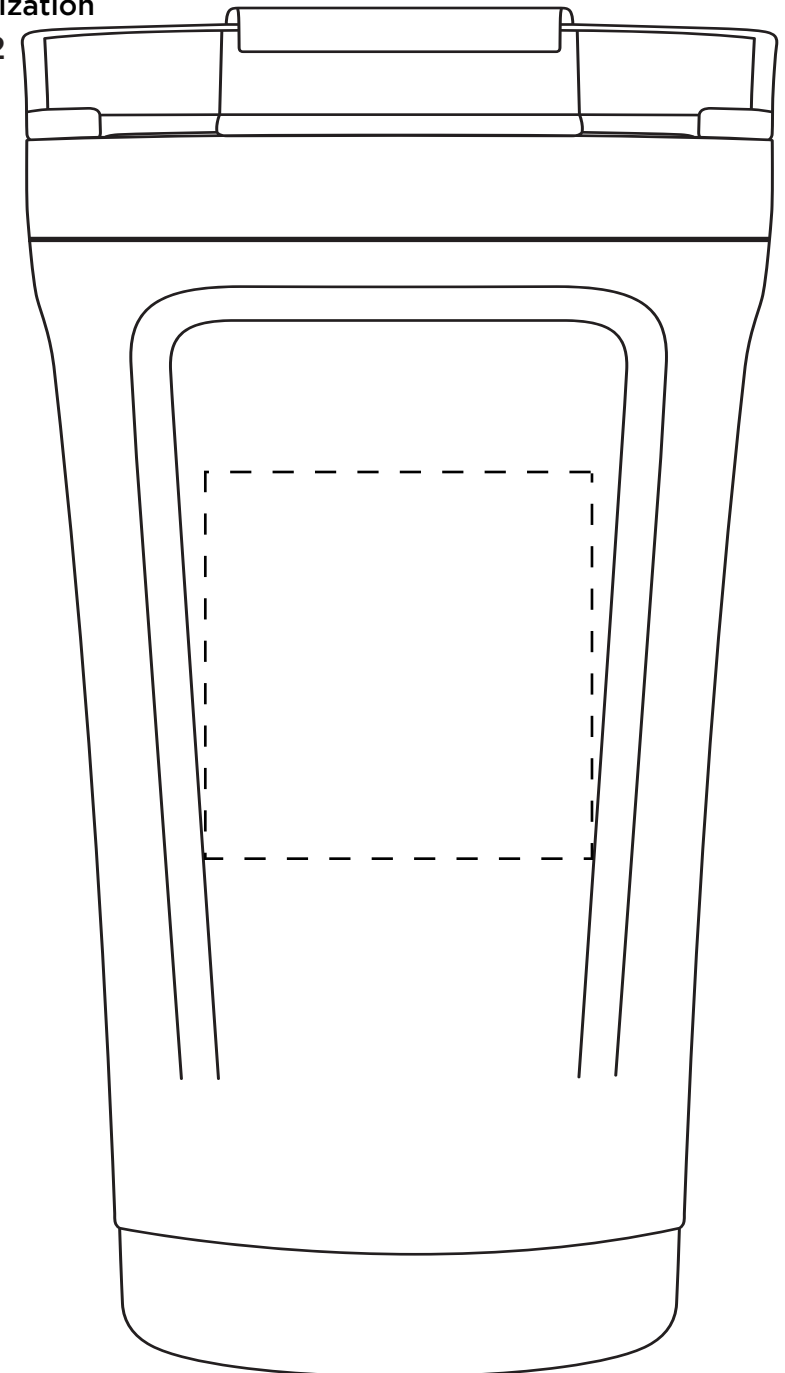
**ADDITIONAL LEFT
LOCATION**

(With Additional Charge)



STANDARD LOCATION

STAINLESS LASER ENGRAVES IN **BLACK**



**ADDITIONAL RIGHT
LOCATION**

(With Additional Charge)

IMPRINT AREA: 2 in. W x 2 in. H

*Due to the variation in powder coat by individual product,
any items decorated with laser engraving are subject to a contrast laser color.*