

SLING

Sling Crossbody Bag

JOB: XXXXXXXXXXXX

ARTIST: XXXXXXXXXXXX

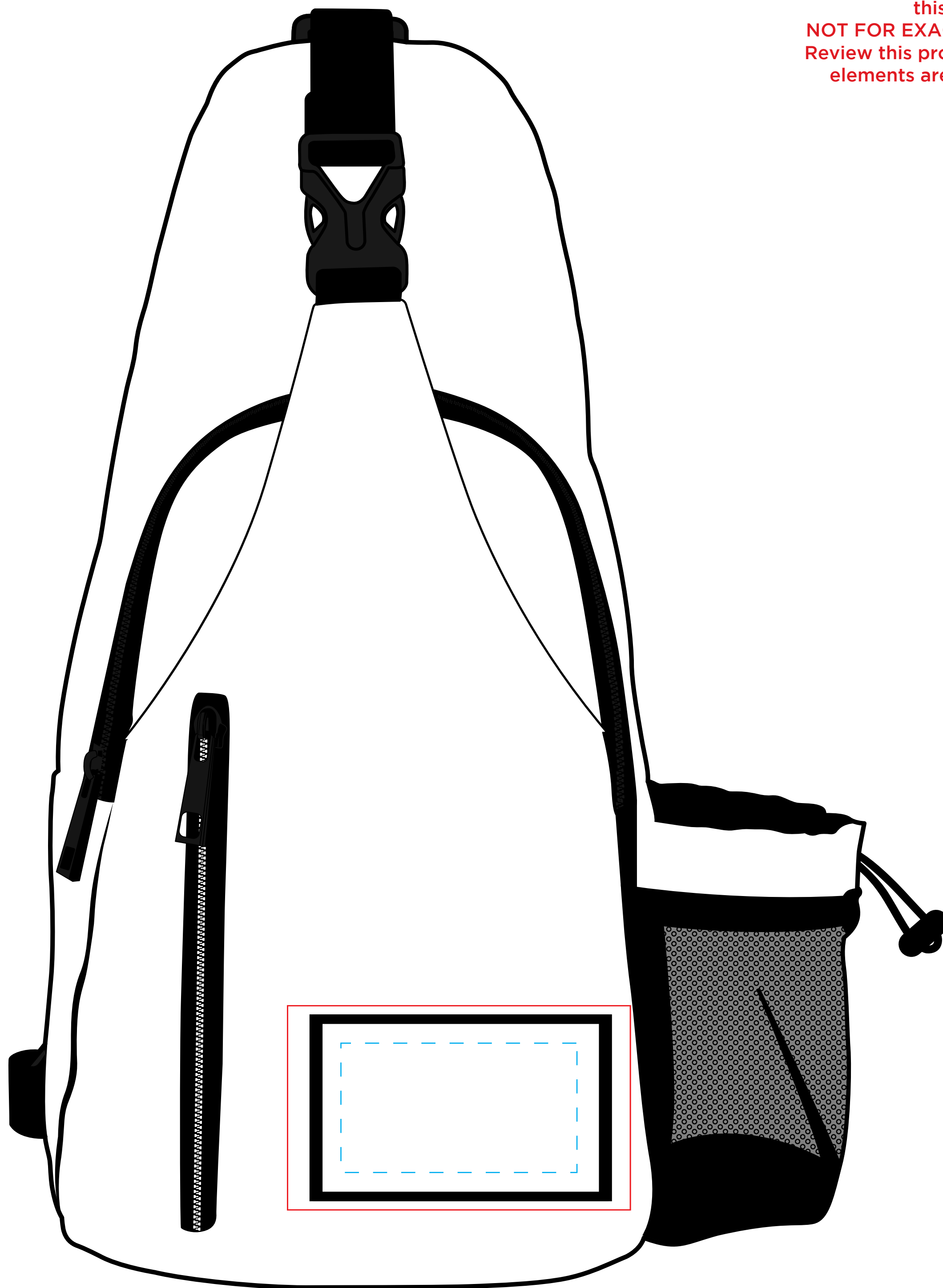
IMPRINT COLOR(S): XXXXXXXXXXXX

Purchase Order #

XXXXXXXXXXXX

*Dashed line indicates imprint area and will not appear on your product.
Red line indicates the full bleed line and will not appear on your product*

Due to the variation in computer monitors and printing processes this proof is **NOT FOR EXACT COLOR approval.** Review this proof to ensure that all elements are correctly placed.



IMPRINT AREA:

2.75 in. W x 1.5 in. H

FULL BLEED:

4 in. W x 2.375 in. H

SNCH

Slim Full Color
Neoprene Can Holder

JOB: XXXXXXXXXXXX

ARTIST: XXXXXXXXXXXX

IMPRINT COLORS: XXXXXXXXXXXX

BACKGROUND COLOR: XXXXXXXXXXXX

Purchase Order #

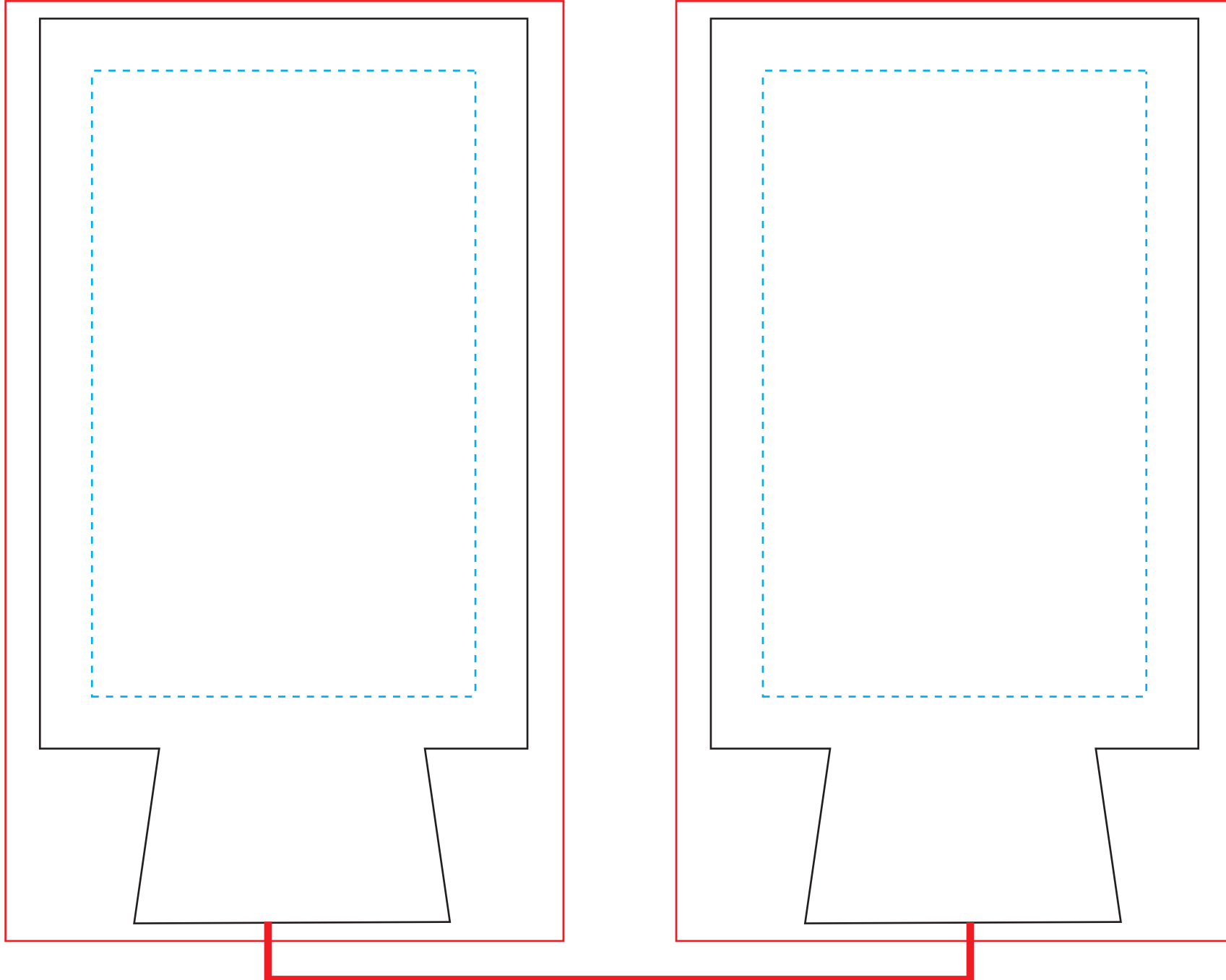
XXXXXXXXXXXX

Dashed line indicates imprint area and will not appear on your product.

Black line indicates the item outline and will not appear on your product

Red line indicates the full bleed line, and will not appear on your product

Review this proof to ensure that all elements are correctly placed. Due to the variation in computer monitors and printing processes, this proof is NOT FOR EXACT COLOR approval. Exact PMS color matching is not available, however colors are within an acceptable range.



IMPRINT AREA: 2.75 in. W x 4.5 in. H

Due to the decoration process there will be an approximate 0.5cm unprinted crease on the base of the item. There will be a slight variance per item.

FCNCH

Full Color Neoprene Can Holder

JOB: XXXXXXXXXXXX

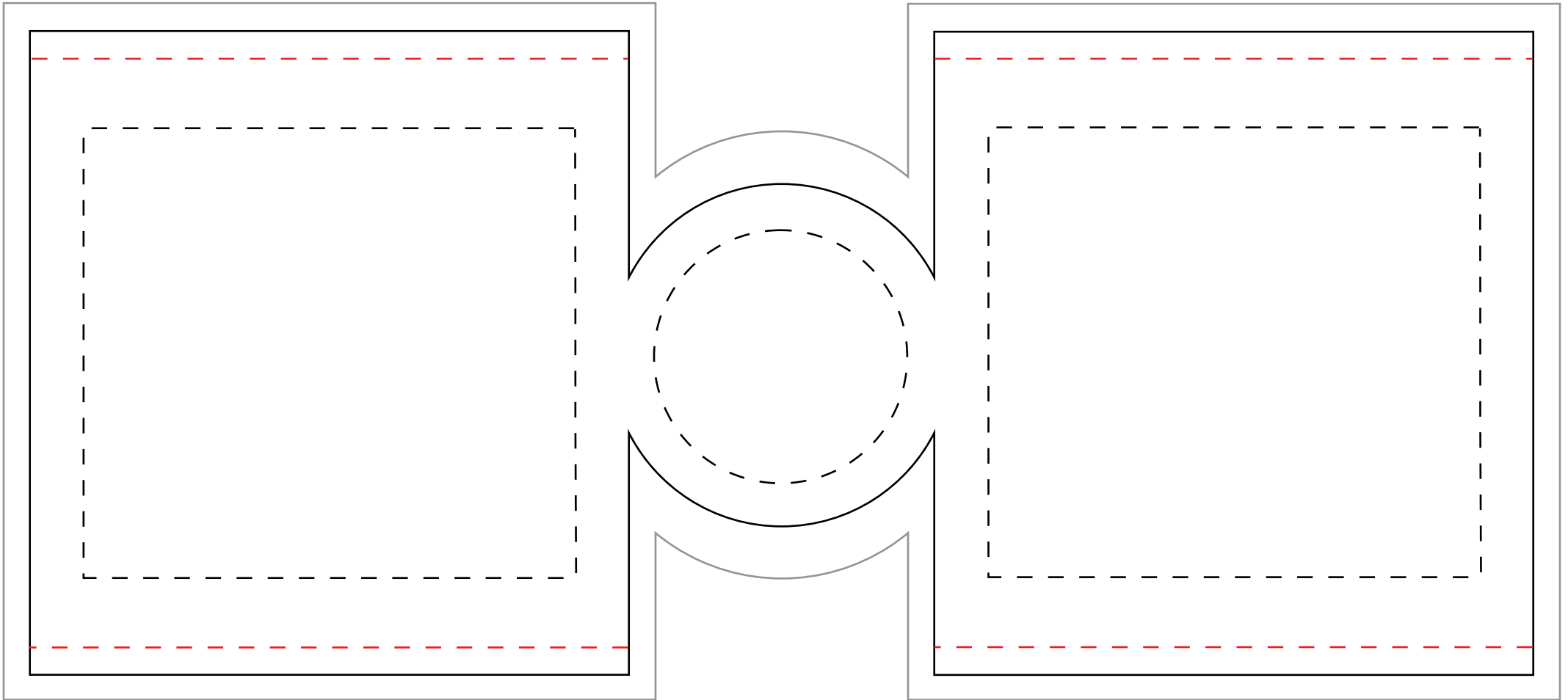
ARTIST: XXXXXXXXXXXX

IMPRINT COLORS: XXXXXXXXXXXX

Purchase Order #

XXXXXXXXXXXX

*Dashed line indicates imprint area and will not appear on your product.
Black line indicates the item outline and will not appear on your product
Red line indicates the stitching line, and will not appear on your product
Gray line indicates the full bleed, and will not print on your product*



NOTE: Due to the sewing process,
background artwork will not align on both sides.

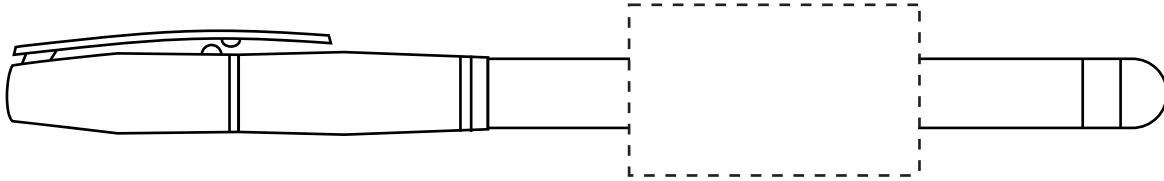
2 SIDED IMPRINT AREA: 3.1787 in. W x 3.4809 in. H
BOTTOM IMPRINT AREA: 1.7823 in. W x 1.7823 in. H

Due to the variation in computer monitors and printing processes,
this proof is NOT FOR EXACT COLOR approval. Review this proof
to ensure that all elements are correctly placed.
Please note that artwork can shift 1/8" in any direction due to
the printing process.

RAINBO
Rainbow Gel Gripper

Purchase Order # **XXXXXXXXXX**

Dashed line indicates imprint area and will not appear on your product.



JOB: XXXXXXXXXXXX
ARTIST: XXXXXXXXXXXX

IMPRINT COLOR: XXXXXXXXXXXX

TDS

Tie Dye Sunglasses
(RIGHT NAPLE STANDARD)

Purchase Order #

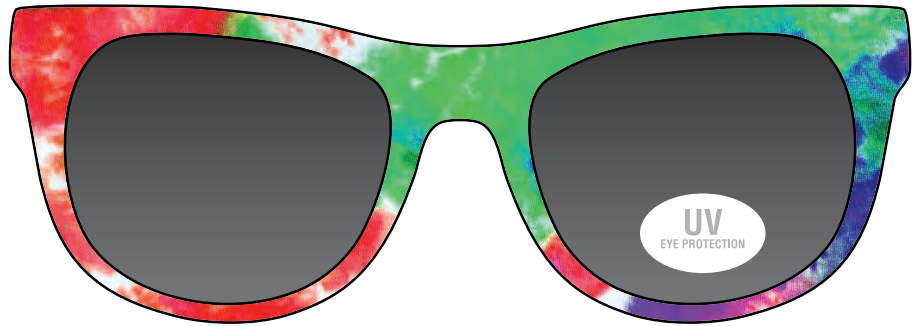
XXXXXXXXXXXX

Dashed line indicates imprint area and will not appear on your product.

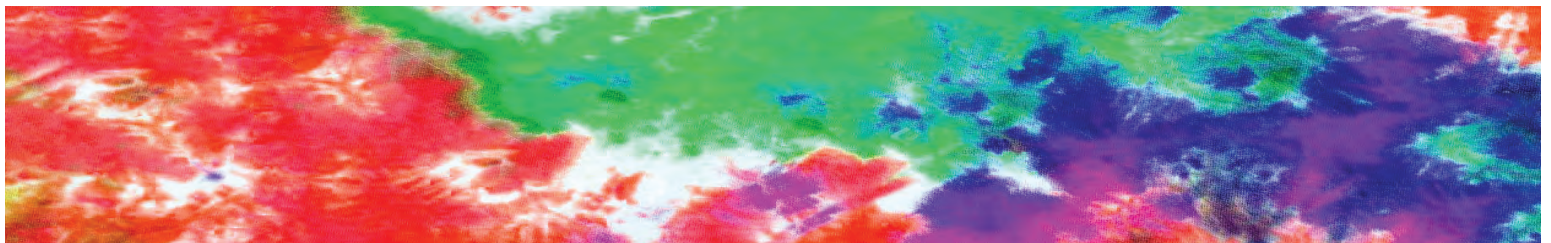
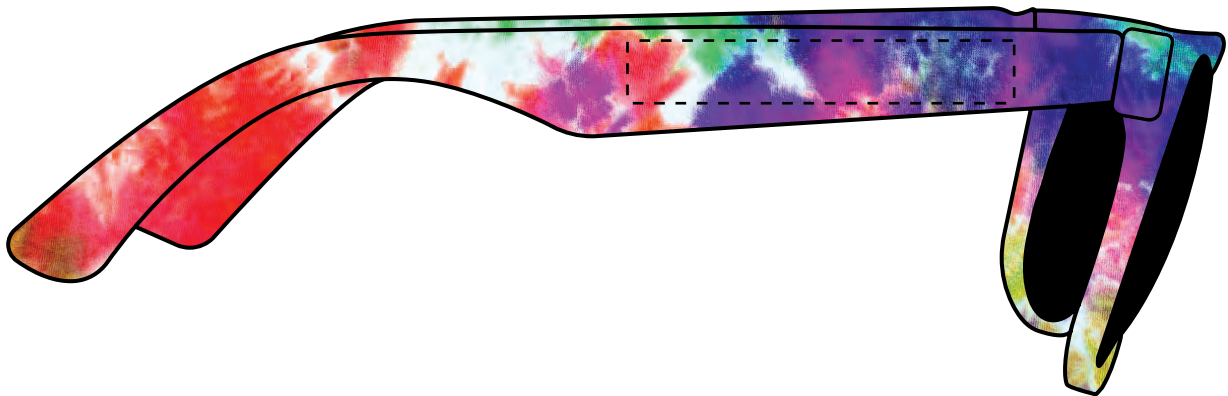
JOB: XXXXXXXXXXXX

ARTIST: XXXXXXXXXXXX

IMPRINT COLOR 1: XXXXXXXXXXXX



NOTE: TIE DIE COLORS ARE FOR REPRESENTATION OF ITEM AND ARE NOT EXACT



ENLARGED

IMPRINT AREA: 2 in W x.3125 in H

HEMINGWAY

Hemingway Journal

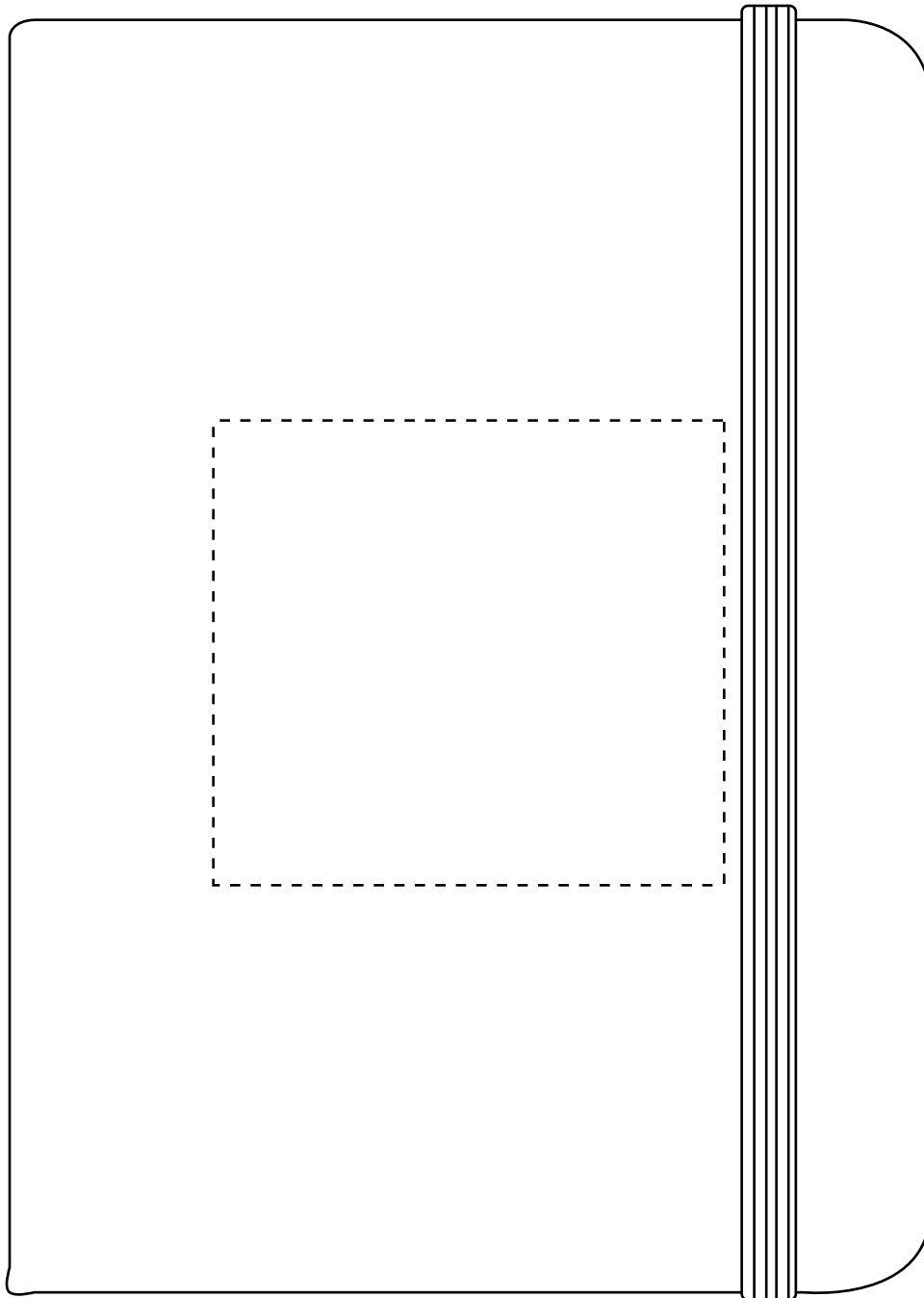
Purchase Order #

XXXXXXXXXX

Dashed line indicates imprint area and will not appear on your product.

JOB: XXXXXXXXXXXX
ARTIST: XXXXXXXXXXXX

IMPRINT COLOR(S): XXXXXXXXXXXX



IMPRINT AREA: 2.75 in. W x 2.5 in. H

FLEX

JOB: XXXXXXXXXXXX
ARTIST: XXXXXXXXXXXX

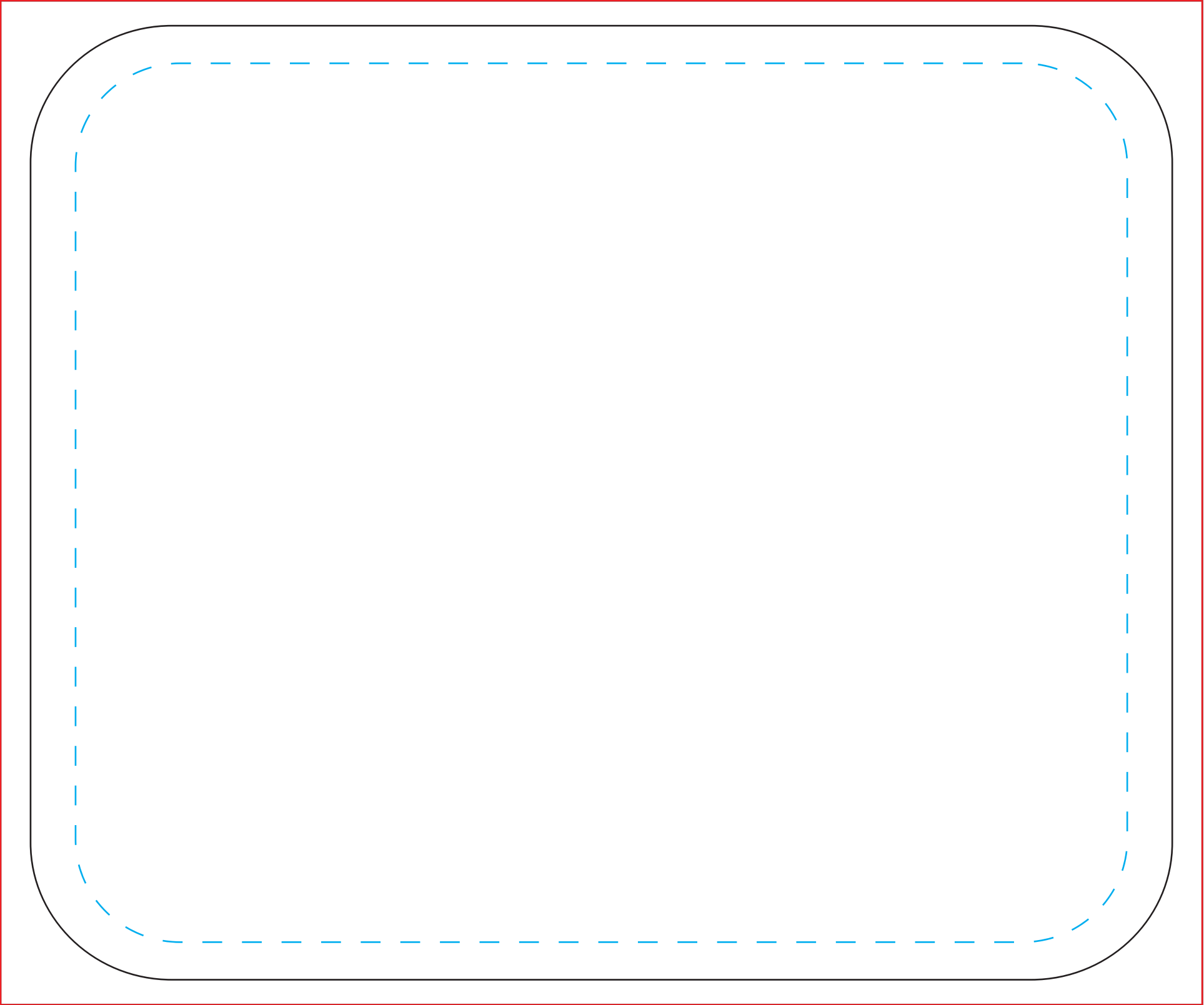
IMPRINT COLOR: XXXXXXXXXXXX

Purchase Order # XXXXXXXXXX

Flex Soft Touch Travel Mouse Pad

*Dashed line indicates imprint area and will not appear on your product.
Black line indicates the item outline and will not appear on your product
Red line indicates the full bleed line and will not appear on your product*

Due to the variation in computer monitors and printing processes this proof is NOT FOR EXACT COLOR approval. Review this proof to ensure that all elements are correctly placed.



IMPRINT AREA:
8.75 in. W x 7.31 in. H
FULL BLEED:
10 in. W x 8.36 in. H

TWILIGHTPRO

2 Tone Super Glide Metal Pen

Purchase Order #

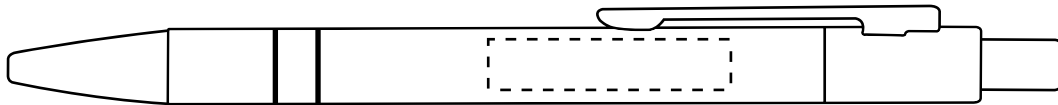
XXXXXXXXXX

Dashed line indicates imprint area and will not appear on your product.

JOB: XXXXXXXXXXXX
ARTIST: XXXXXXXXXXXX

IMPRINT COLOR: LASER ENGRAVED

FLAT ARTWORK
(FOR PROOFERS)



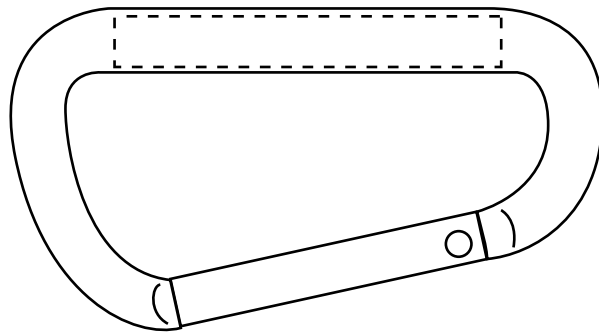
ENLARGED

IMPRINT AREA: 1.25 in. W x .25 in. H

C8 Carabineer 8mm

Purchase Order # XXXXXXXXXX
Dashed line indicates imprint area and will not appear on your product.

JOB: XXXXXXXXXXXX
ARTIST: XXXXXXXXXXXX



IMPRINT AREA : 2 in. W x 0.25 in. H

ENLARGED